

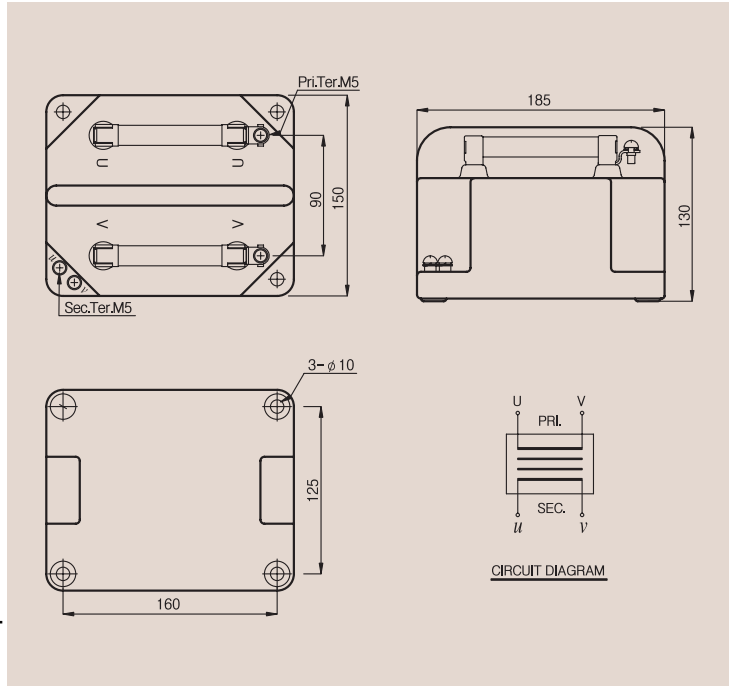
Voltage Transformers (7.2kV)



- 屋内用
For Indoor
- 單相. 比接地形
Single Phase,
Line to Line Voltage Transformer
- 一般計器用 및 繼電器用
For Metering & Protective application
- Epoxy 眞空 Mold形으로서 絶緣性能이 優秀하다.
Insulation : Epoxy Vacuum Molding

Dimension

unit : mm



Specification

Standard	KS C 1706	JEC 1201	IEC 60044-2
Max. Voltage	7.2kV	6.9kV	7.2kV
Primary Voltage	6600V	6600V	6600V
Secondary Voltage	110V		
Insulation Level	7.2 / 22 / 65kV (6A)	6.9 / 22 / 65kV (6A)	7.2 / 20 / 60kV
Accuracy Class	0.5 or 1.0 or 3.0	1P or 3P	0.5 or 1.0 or 3.0
Over Voltage Factor	-	1.1 Continuous	1.2 Continuous
Frequency	60Hz (Option : 50Hz or 400Hz)		

※ 상기의 정격 1차, 2차 전압은 표준형이며, 그이외의 전압비의 제품도 생산 가능합니다.

1' ry / 2' ry Voltage : 생산 전압비 (option)

1차 전압 (V)	2차 전압 (V)
4160, 5700, 6600, 6900, 7200	63.5, 110, 120, 190, 220

Rated Output

Accuracy Class			Type & Rated Output (VA)
KS C 1706	JEC 1201	IEC 60044-2	LH11
0.5	-	0.5	50
1.0	1P	1.0	100 or 200
3.0	3P	3.0	300 or 500